

6W LED Driver Constant Current



■ Approve



Features

- Class I&II, SELV, Built-in
- Input Voltage 100-240VAC
- Protections: SCP/OLP/OVP/OTP
- Power Factor 0.9C
- Efficiency $\geq 67\%$
- 5 years warranty

Applications

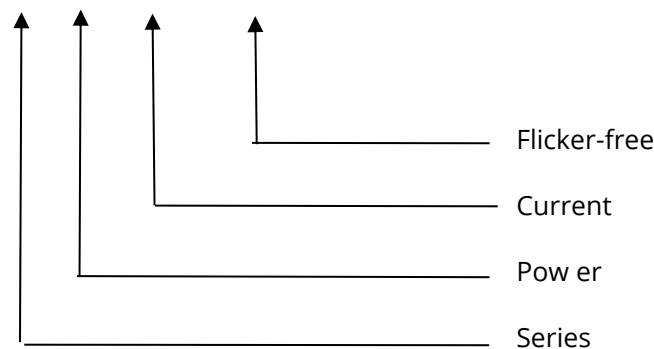
LED spot light, Wall light

Description

SH-6-XXX LB-G is a 6W constant current LED driver with 300mA to 700mA output current. With its compact dimensions from 60 x 34 x 23.5 mm it is easy to integrate in wall light and LED spot light products. To ensure trouble-free operation, protection is provided against output short circuit and over Load.

Model code

SH-6-XXX LB-G



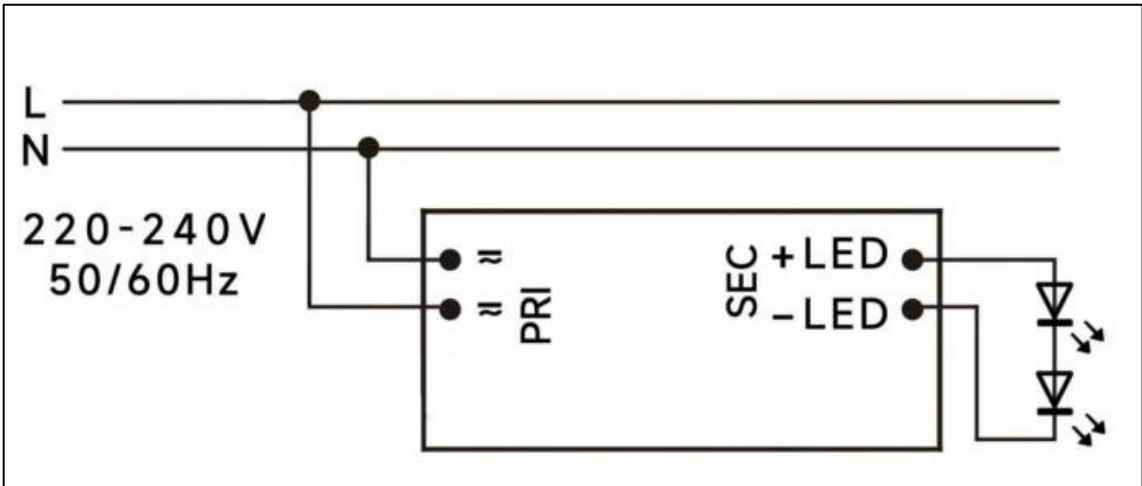
Specification

Output	Constant Current	300mA	350mA	500mA	700mA
	Unload voltage Max.	35VDC	30VDC	23VDC	20VDC
	Voltage Range	13-23VDC	12-21VDC	6-13VDC	5.5-10.5VDC
	Current Accuracy	±7%			
	Output HF current ripple(≥1KHz)	±3%			
	Output LF current ripple(≤120Hz)	±3%			
	SVM	≤0.4			
	Pst	≤1			
	Efficiency(Typ.)	≥67%			
Input	Rated input voltage	100-240VAC			
	Range of input voltage	90-264VAC			
	Frequency(Hz)	50/60Hz			
	Displacement factor	≥0.5			
	Power Factor	0.9C			
	Input Current max	0.12A			
	Start-up time	<0.5S			
	No Load Power	≤0.5W			
	THD(Typ.)	<15%			
Protection	Over Load Protection	103-120% YES/Auto Resume			
	Over Voltage Protection	>35VDC	>30VDC	>23VDC	>20VDC
	Short circuit Protection	YES/AutoResume			
	Over Temperature Protection	YES/AutoResume			
Environment	Operating Temperature	-10°C~+50°C			
	Humidity	20%-90%RH			
	Tc	85°C			
	Storage Temperature	-20°C~+50°C			
	Lifetime	>50000h@Tc=75°C,230VAC			
Surface	Dimension	60x34x23.5(LXWXH)mm			
s standards	EN61347-1; EN61347-2-13;EN62384; EN55015;EN61000-3-2 ;EN61000-3-3; EN61547;				
Others	ErP	EU2019/2020			
	RoHS	RoHS(2011/65/EU)	(EU)2015/863		
Note	1.All parameters NOT specially mentioned are measured at 230VAC input , full load and 25°C of ambient temperature. 2.Ripple & Noise are measured at 20MHz of bandwidth by using a 300mm twisted pair-wire terminated with a 0.1uF & 47 uF parallel capacitor				

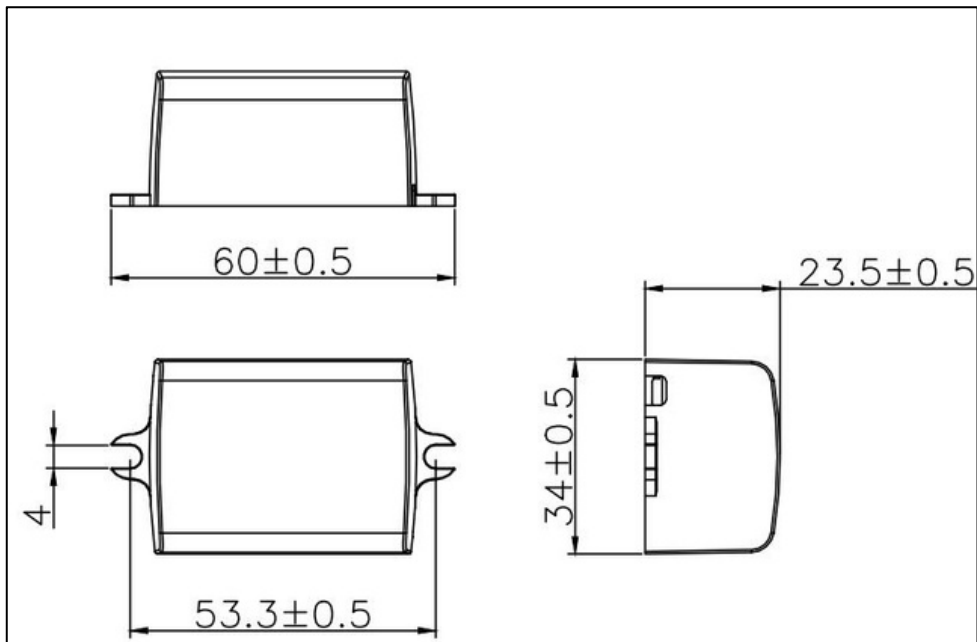
Circuit Breaker

Ipeak	Tw idth	B10	B16	B20	C10	C16	C20
10A	53μs	66pcs	106pcs	133pcs	66pcs	106pcs	133pcs

Wiring diagram

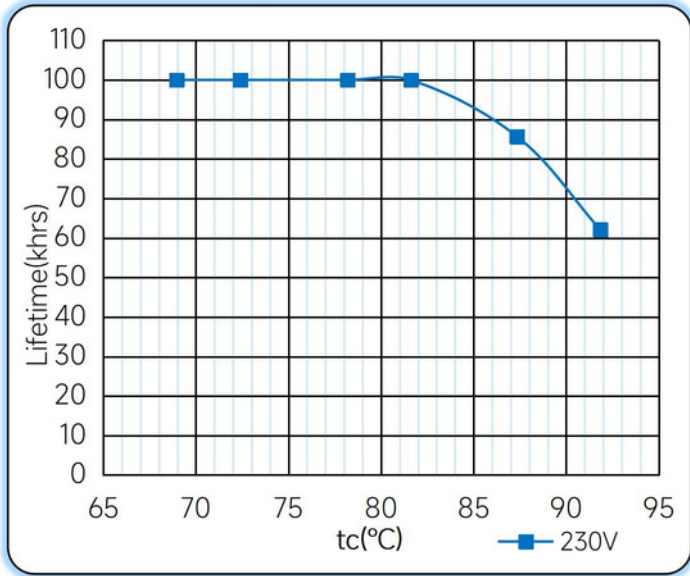


2D diagram

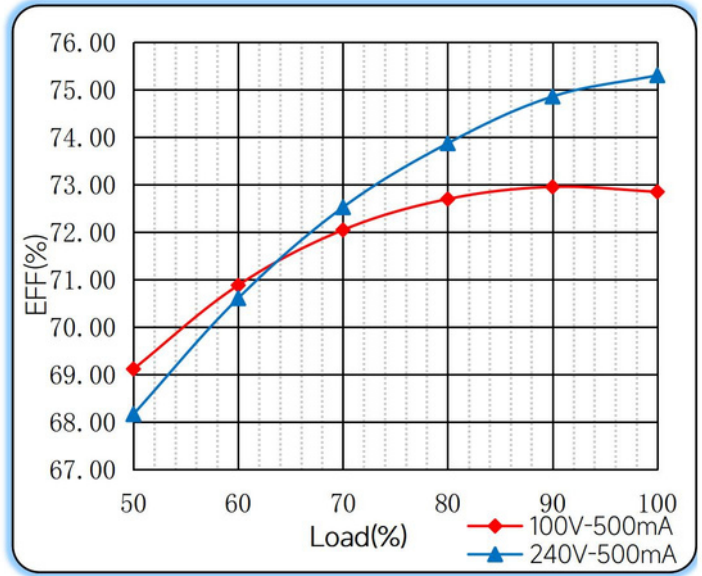


Curve for SH-6-500 LB-G, I_o=500mA

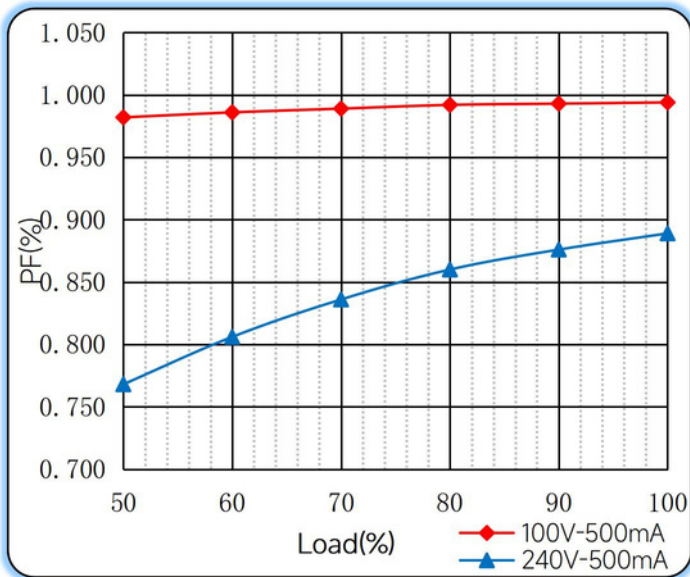
Lifetime vs. Temperature Curve



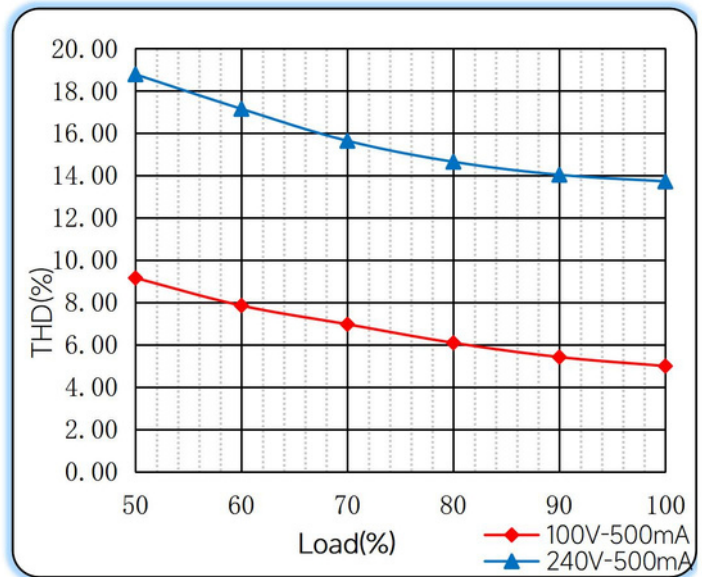
Efficiency vs. Load



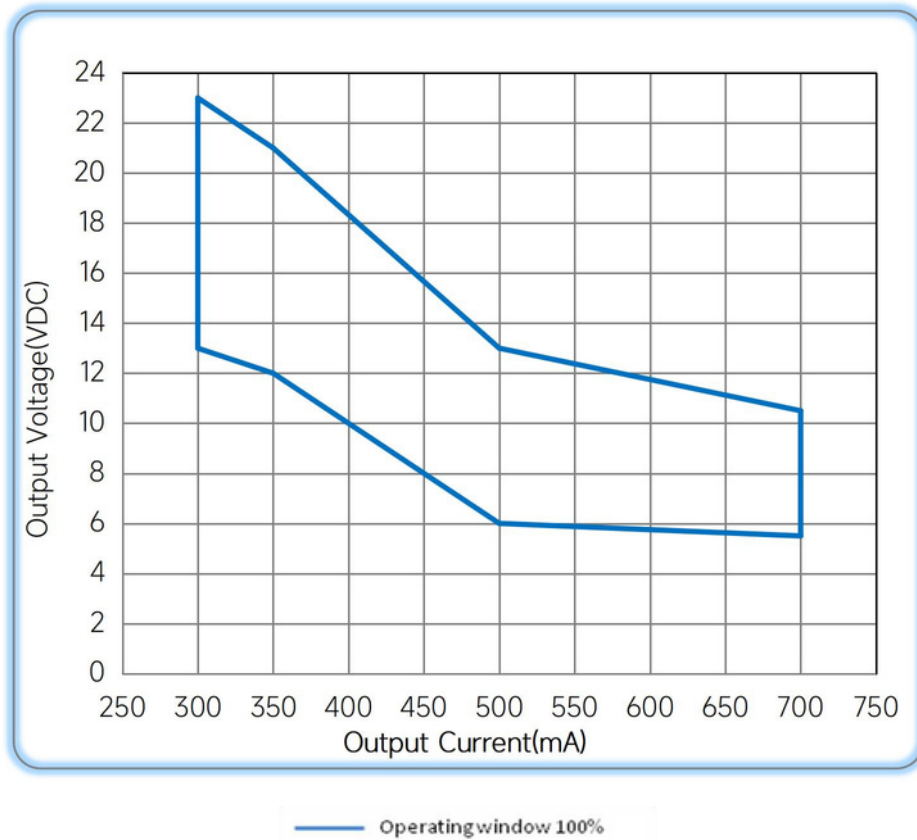
Power Factor Characteristics



THD vs. Load



Operating window




Revision Updates

ITEM	BEFORE	AFTER	VERSION	DATE
Initial			A	2022/05/15



Citi-el
LED up your business

 +7 (499) 647-80-74

 zakaz@citi-el.ru

 www.citi-el.ru